

FENDT

Fendt IDEAL 10T





More power, more output, less effort.
Time for new dimensions.

Exceptional conditions require exceptional performance – both from us and our machines. Bring new levels of efficiency into your working day – with a clear view of the header and in-feed, easy ergonomic steering and 790 hp. A larger separation area together with a new IDEALbalance™ can only mean the best harvest quality.

FENDT IDEAL: ROTOR

The ultimate rotor: The Dual Helix

Bring out the best

What makes all Fendt IDEALs stand out from other combines is their outstanding Helix processor, providing the highest output and best threshing quality with gentle crop handling and low energy consumption. The (basic) concept of the Helix processor meets every market requirement.

The feed is vital

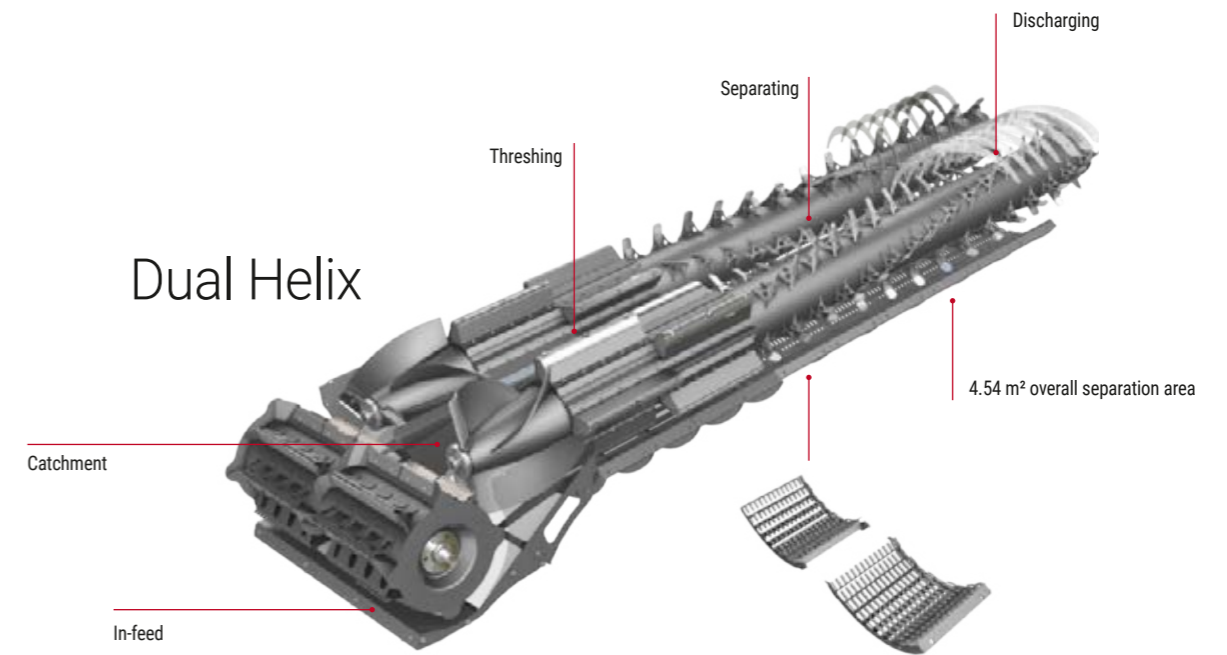
The RotorFeeder feeding drum with 600 mm passes the crop from below to the rotors; an essential factor for the best threshing results. The sizeable transfer section from the RotorFeeder to the Rotor protects the straw. These ideal transfer conditions ensure a constant crop flow.

The Helix processor – simply unique

All components of the rotors such as the rasp bars and rotor tines are arranged in four rows like a helix. The front part of the rotors consists of rasp bars installed lengthways – the threshing section of the rotors. For the best results no matter what the conditions, the concaves below come in different designs.

Larger concave surface area

Two additional separator concaves bring the concave surface of the Fendt IDEAL 10T up to 4.54m². Compared to the Fendt IDEAL 9, this machine has a 12% bigger working area, which means even higher separating capacity and even greater output.



FENDT IDEAL: CLEANING

Full power: Cyclone Cleaning System

IDEALbalance™

The cleaning system on the Fendt IDEAL10T works over 4 sections, which meant a new design for IDEALbalance™. 2 return floors ensure even distribution and coverage across the preparation floor. IDEALbalance™ compensates for slopes up to 15%.

New cleaning system

From the preparation floor, the grain drops down to the top sieve through 2 curved double-drop steps. Thanks to the curved shape, the heavy grains gather in the lower part of the step, while the laws of physics mean the lighter parts of the crop flow are in the top section. The curved steps provide a wider air outlet, which can significantly increase the air volumes. This makes the cleaning system even more efficient. Most short straw and chaff is separated from the grain on the first drop between preparation floor and intermediate floor. The second drop to the top sieve then separates any foreign bodies.

Triple fan

The powerful Cyclone cleaning fan consists of three fan units with open sides for maximum air output. The fan speed can be hydraulically adjusted between 250 and 1,400 rpm, to give you different speeds quickly and efficiently. The powerful airflow is split from the first drop stage, with a constant air flow generated over the entire length of the shaker shoe, giving you the best cleaning results.

Separate post-threshing

Specially designed returns for maximum performance and the best threshing. The product is threshed out by the auger and passed on to the grain pan. None of the processor's separation capacity is compromised. Threshing occurs between the auger and the interchangeable covers, which can be serrated or smooth depending on the intensity you want.



The redesigned Fendt IDEALbalance™. The preparation floor and the sieve are split into 4 sections.



Just remove the preparation floor for simple cleaning.



FENDT IDEAL: STEERING

Everything at hand! IDEALDrive.

Conventional steering

The steering wheel has been used since the development and production of self-propelled harvesters. In 1893 it was still a new invention, not commonly used. Today, it's hard to imagine a world without a steering wheel. On a harvester it has its uses, but can also be a burden; the steering wheel restricts your view of the header and the in-feed of the crop elevator. It also encourages an unhealthy posture. With today's lane guidance systems, the steering wheel is almost redundant on a combine harvester. A machine element that is rarely used can seriously restrict our daily work.

Joystick steering

For a better view of the table, the Fendt IDEAL offers a revolutionary concept – IDEALDrive. With IDEALDrive, there is no need for a steering column. Instead of using a steering wheel, you control the combine harvester with a joystick on the left armrest. The left hand steers while the right hand controls the speed. It means you have a great view to the front. The joystick's control and intuitive response are proportional to the driving speed and the steering lock angle on the wheel. It's easy and safe to control in every situation. IDEALDrive is optional. As a customer, you can choose how you want to drive your machine.

Ergonomic controls

As well as easy steering, IDEALDrive makes various functions very ergonomic to use; the joystick includes buttons for the indicators, dipped/high beam, the horn and the track guidance system. You can pivot the entire armrest backwards, so it's easier to take your seat.

Buttons on the top

The indicator switch is on the top part of the joystick. The buttons are all within easy reach, for great ergonomics



Buttons on the back

On the back are the buttons for dipped/high beam, horn and track guidance.



Exceptional view

Better view of the table and surroundings
Better control of the infeed
 Everything in sight, **day and night**

Ultra easy controls, with 65% less muscle activity

More manoeuvrability on the field
Full control on the road
 More **efficient driving**, with 6% more efficient steering

Precise control

Precise steering when manoeuvring and driving straight
Reliable and safe with proportional control



Conventional steering

Conventional steering severely restricts your view to the front.

FENDT IDEAL: ENGINE

IDEAL power release

Full power!

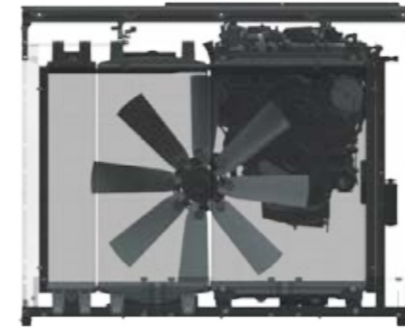
The Fendt IDEAL10T features a MAN 16.2l engine with a maximum output of 790 hp, which meets European Emissions Stage V. The powerful 6-cylinder engine is equipped with a turbocharger with variable turbine geometry. The VGT turbocharger helps maintain the maximum output and torque over a wide rpm range.

Revolutionary AirSense® Cooling

Cooling is crucial part of ensuring the motors always run efficiently and reliably. AirSense® Cooling was developed for the Fendt IDEAL. The idea is to provide maximum cooling capacity with minimal cleaning effort. AirSense® Cooling consists of a 950mm reversible fan and a cooling area of 2.7m². The air is extracted centrally through a radiator grille on the top side of the Fendt IDEAL. Depending on the temperature and time, the fan automatically changes its direction of rotation and reliably fans the cooler. Dirt and dust never impair the cooling performance. This system is so reliable that you can work through an entire season without any manual cleaning effort.

Tank capacity for long work days

The diesel tank and AdBlue tank are located at the rear of the Fendt IDEAL. This also ensures optimal weight distribution. Both liquids can be poured into the tanks via the platform. The capacities are impressive: Up to 1,500 l diesel and 180 l AdBlue can be held in the tanks. Combined with the low fuel consumption of the Fendt IDEAL, this means the machine can be operated for extremely long periods. When others stop, you can just keep on harvesting.



The reverse fan with a diameter of 950 mm turns the vane depending on temperature and time, blowing the intake area clean.



The MAN engine has a maximum power of 790 hp.

FENDT SERVICES

Rest assured that your machine will be ready for action tomorrow.

Fendt Demo service

Is this a new purchase? You'll love our Fendt solutions and overall efficiency. Let the Fendt Demo service make the decision easier.

Fendt Expert operator training

We help you get the most out of your vehicle. With the help of our exclusive Fendt Expert operator training programme, you can optimise the efficiency of your Fendt even further, and get to know all the functions to make your daily routine that much easier. Our team of professional trainers will advise you on how to use your Fendt machine to its full potential.

Individual finance and lease models

Investing in technology means a considerable capital outlay. A credit finance agreement from AGCO Finance offers attractive conditions and flexible terms. From the initial down payment to monthly instalments to the payment term – you set the general terms on which to finance your Fendt. If you need additional resources in a hurry or want to use tractors over a long-term period without purchasing them, your Fendt dealer can offer the ideal solution with tailored lease packages.

Fendt Certified - Pre-owned machine programme

Used agricultural machinery to tried and tested high-quality standards and certified Fendt quality – the ideal solution for cost-conscious farmers or as an addition to a growing fleet.

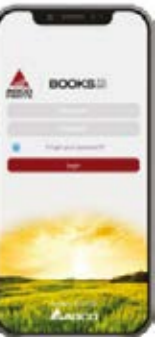
The benefits:

- Certification according to strict quality standards
- Extensive incoming check (technology, wear, appearance)
- Fully serviced wear parts
- If required, replace, clean and paint components
- One-year warranty (option to extend)

Fendt Care – servicing and guarantee extensions

To keep your machine ready for action at any time, we offer a tailored maintenance and repair service beyond the statutory warranty. This only covers the repair risk of a new machine for the first 12 months after delivery. That's where Fendt Care comes in. With flexible durations and flexible rates with and without excess, the machine can be guaranteed even after the first year. Your Fendt dealer will only install Fendt original parts. These have a proven standard of quality and are safety-tested. This ensures the best value retention for your Fendt machine.

Using the smartphone app "AGCO Parts Books to go", you can find Fendt spare parts quickly and easily and order them directly. The app is available for download in the app store and in the Google Play Store. Your personal access data is available from your Fendt dealer.



Full control over costs and planning reliability

Fendt Care	Bronze	Silver		
Service	Regular maintenance, fixed maintenance costs	Cover against the risk of repair (excludes wear)		
Benefits	Reliability of use	Coverage against major damage	Full coverage under great conditions	Full protection while you keep costs under control
Regular maintenance	✓	✓	✓	✓
Repair costs		✓	✓	✓
Excess		€490	€190	€0



5 years / 3,000 operating hours, including cutter

With our new Fendt Care rates, Fendt offers extensive coverage for the reliability and repair risk of new machines. Fendt Care gives you complete cost control with exceptional service. From a service agreement to the full carefree package, Fendt has a flexible and tailored solution for your fleet.

FENDT IDEAL

Equipment variants.



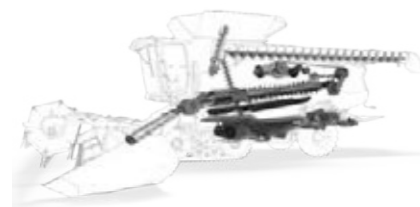
■ Conventional steering



□ IDEALDrive – joystick steering



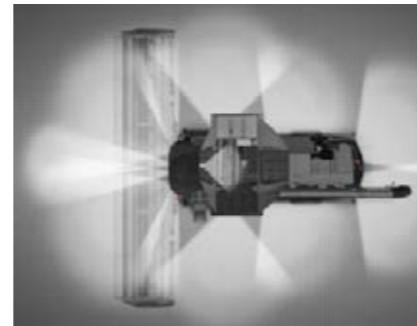
□ AllDrive 4WD



□ Hi-Wear bundle



□ 360° camera system



□ Working light – full LED

IDEALharvest™



□ AutoDock™



□ ActiveSpread – electrically adjustable



□ Deluxe operator's seat



□ Pro Sound system



□ Roller blinds for side windows

FENDT IDEAL

Technical specifications.

IDEAL 10T		
Residual grain separation		
Total separation area	m²	4.54

Table		
Table widths PowerFlow from - to	m	10.70 - 12.20
Cutting frequency PowerFlow	cuts/min	1220
TerraControl II™ table guidance		■
AutoLevel table control		■
Automatic reel speed		■
Electric rape knife		□
Multi-coupler		■
Hydraulic reel drive		■

Crop elevator		
EHU (Eyeshot Hook Up)		■
AutoDock™ - automatic table docking		□
Ag Tag - automatic table recognition		□
Variable table drive		□
HP - hydraulic cutting angle adjustment		□
Intake chains	number	4
Hydraulic reverse		■

Threshing system		
Dual Helix threshing mechanism		■
Rotors	number	2
Rotor diameter	mm	600
Rotor length	mm	4838
Rotor speed	rpm	280 - 1160
Helix threshing mechanism concave area	m²	1.66
Helix threshing mechanism separation area	m²	2.88
Rotor feeder diameter	mm	600
Rotor feeder speed	rpm	200 - 828

Cleaning		
Cyclone cleaning system		■
IDEALbalance™ - grain pans		■
Preparation floor area	m²	2.05
Top sieve area	m²	2.98
Lower sieve area	m²	2.42
Total sieve area	m²	5.4
Fan speed	rpm	250 - 1400
Electrical blower setting		■
Double, ventilated steps		■
Separate rethresher		■
Electric sieve adjustment		■
Returns indicator		■

Grain tank		
Streamer 210 - 210 l/s / 17,100 l		■
ScrollSwing control		■
StreamerGates - discharge rate adjustment		■
Interior lighting		■
Ladder in grain tank for safe entry		■
Flap and slide for taking samples		■
Grain tank discharge tube 7.60 m - rigid		□
Grain tank discharge tube 9.15 m - rigid		■
Grain tank discharge tube 9.15 m - foldable		□
Grain tank discharge tube 10.60 m - foldable		□

Straw chopper		
BaseCut - 56 serrated knives		■
ShortCut - 112 serrated knives		□
Chaff spreader		□
Electrically adjustable deflector plates		□
ActiveSpread radial spreader		□

IDEAL 10T		
Engine		
MAN engine		■
AirSense® cooling system		■
Emission stage	Stage	5 / V
Cylinders	number	6
Displacement	litres	16.2
Rated engine speed	rpm	1900
Max. performance with PowerBoost (ECE R 120)	kW/hp	581 / 790
Fuel tank capacity Standard/optional	litres	1000 / 1250 / 1500
AdBlue tank capacity	litres	180
DriveCenter		■
Air compressor		□

Chassis		
MotionShift gearbox		■
Gear steps	number	2
Max. driving speed*	km/h	40
AllDrive 4WD		□
TrakRide crawler track		■

Cab		
Vision cab		■
Air-suspended driver seat		■
Deluxe operator's seat		□
Automatic climate control		■
Electrically adjustable heated exterior mirrors		■
Additional wide-angle mirror		■
Additional work light		■
Work light - full LED		□
Radio		□
Multimedia navigation		□
Reversing camera		■
360° camera system		□
Cooler compartment integrated into the passenger seat		■
Loss indicator		■
Adjustable steering column		■
ProSound System		□
PowerFold swingable entry ladder		■

Fendt Variotronic		
Fendt Varioterminal 10.4"		■
Fendt Dashboard		■
SmartConnect™ app		□
HarvestPlus - automatic output control		■
IDEALharvest™ - machine optimisation		□
Fendt VarioGuide NovAtel/Trimble		□
Fendt VarioGuide pre-equipment		■
Fendt VarioDoc		■
Fendt VarioDoc Pro		□
Fendt Connect		■
Yield and moisture measurement		■
Yield mapping		□

Weights and dimensions		
Length without table	m	10.632
Width without table, standard tyres	m	3.49
Height	m	3.99

Tyres		
Drive axle tyres (standard)		30"
Steering axle tyres (standard)		620/70R26

* = depends on country - additional legal constraints may apply

FENDT

It's Fendt. Because we understand Agriculture.



www.fendt.com

AGCO GmbH – Fendt Marketing
87616 Marktberdorf, Germany

 **AGCO**
Your Agriculture Company

Fendt is a worldwide brand of AGCO.
All details regarding scope of delivery, appearance, performance, dimensions and weights, fuel consumption and running costs of vehicles reflect the latest information available at the time of print. These may change by the time of purchase. Your Fendt dealer will be happy to inform you about any changes. The vehicles shown do not feature country-specific equipment.